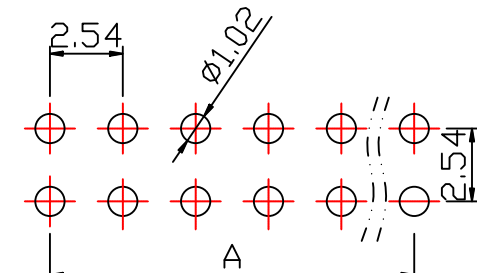
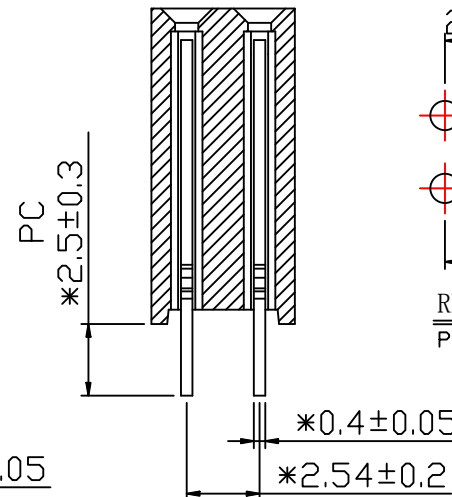
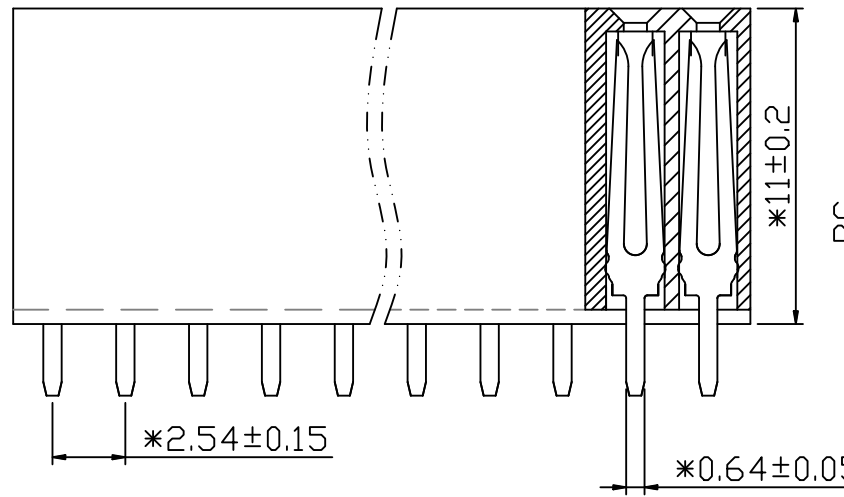
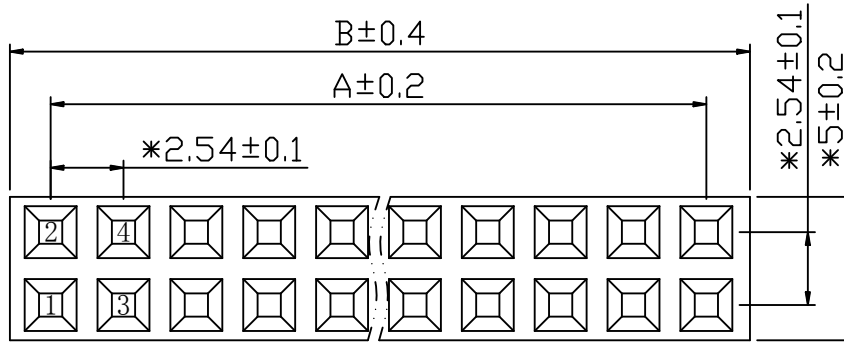


图号: F2540275 | A 2.54 x No. of Contacts/2-2.54
 料号: XXXXXXXX | B 2.54 x No. of Positions/2+0.5

Positio	DiM"A"	DIM"B"
2X2P	2.54	5.58
2X3P	5.08	8.12
2X4P	7.62	10.66
2X5P	10.16	13.2
2X6P	12.7	15.74
2X7P	15.24	18.28
2X8P	17.78	20.82
2X9P	20.32	23.36
2X10P	22.86	25.9
2X11P	25.4	28.44
2X12P	27.94	30.98
2X13P	30.48	33.52
2X14P	33.02	36.06
2X15P	35.56	38.6
2X16P	38.1	41.14
2X17P	40.64	43.68
2X18P	43.18	46.22
2X19P	45.72	48.76
2X20P	48.26	51.3
2X21P	50.8	53.84
2X22P	53.34	56.38
2X23P	55.88	58.92
2X24P	58.42	61.46
2X25P	60.96	64
2X26P	63.5	66.54
2X27P	66.04	69.08
2X28P	68.58	71.62
2X29P	71.12	74.16
2X30P	73.66	76.7
2X31P	76.2	79.24
2X32P	78.74	81.78
2X33P	81.28	84.32
2X34P	83.82	86.86
2X35P	86.36	89.4
2X36P	88.9	91.94
2X37P	91.44	94.48
2X38P	93.98	97.02
2X39P	96.52	99.56
2X40P	99.06	102.1



RECOMMEND P.C.B BOARD LAYOUT
 PCB TOLERANCE:±0.05 (TOP VIEW)

SPECIFICATIONS (规范)>>>

Current Rating (额定电流): 3Amps
 Withstanding Voltage (耐电压): AC 1000Vmin/Minute
 Insulation Resistance (绝缘电阻): 1000MΩ Min
 Contact Resistance (接触电阻): 20 mΩ MAX
 Operating Temperature (工作温度): -40°C to +105°C
 Material (材料)>>>
 Plastic material (塑胶材质): PA9T
 Color (颜色): Black
 Insulating Material (绝缘材料): Polyester (UL94V-0)
 Contact Material (接触材料): Brass (黄铜)
 Contact Plating (接触电镀): Au G/F over Ni

Project (项目)	PC
Regular size (常规尺寸) 001	2.5
Regular size (常规尺寸) 002	

Material code (物料编码)>>>

F	C	2XX	M	E	D1	C	B	C	B1	XXXX
Name 品名	Pitch 间距	Pin位	Plastic height 胶高	Plastic Weight 胶重	Pin Type 针脚类型	Material 材质	Material Color 颜色	Packaging 包装	Electroplating 电镀	M.N料号
Type F=Female Header (1020)	Pitch A=1.27 B=2.0 C=2.54 D=1.0 E=1.5 F=3.96 G=5.08	No. of Pins Per Rows 1XX=1X (1-40)P 102=1X2P ... 2XX=2X (1-40)P 202=2X2P ... 3XX=3X (1-40)P 4XX=4X (1-40)P	Plastic Height A=3.5 I=8.1 B=5.0 J=8.5 C=5.7 K=10.0 D=6.0 L=10.5 E=6.8 M=11.0 F=7.1 N=14.5 G=7.5 O=18.0 H=8.0 P=19.0	Plastic Weight A=2.4 I=7.5 B=2.5 J=8.1 C=2.6 D=3.5 E=5.08 F=5.8 G=6.0 H=7.0	Type M0=不带塑料脚 M1=带塑料脚 R0=不带塑料脚 R1=带塑料脚 D0=不带塑料脚 D1=带塑料脚 D2=带塑料脚	Insulator Material Option A=BK-PBT B=BK-PA6T C=BK-PA9T D=LCP S=Special	Material Color B=Black (黑色) W=White (白色) U=Blue (蓝色) R=Red (红色) G=Green (绿色) Y=Yellow (黄色) S=Special	D=Manner of packing A=Bag (袋装) B=Box (盒装) C=Tube (管装) D=Tube Reel (管装) E=Sort Tray (盘装)	Contact Plating SN:Ti GF:Gold Flash A1:0.8u"Gold B1:1u"Gold C1:1.5u"Gold C2:足1.5u"Gold D1:2u"Gold	P/N 0001 0002 0003 ... 9999

Unless otherwise specified, tolerances are as per the table below (除非有说明, 否则公差按下表):

Dimensions 尺寸标注	Tolerances公差	
	Lengths长度	Angles角度
X,	±0.30	±2°
.X	±0.25	±1.5°
.XX	±0.20	±1.0°
.XXX	±0.15	±0.5°

Product Model 产品型号	FH2.54 2XNP 180度 Y型 H11.0 PC2.5 PA9T 黄铜1U加黄 管装				
Material Codes 物料编码	FC210MED1CBCB1				
Design 设计	hanxing 韩信				
Audits 审核	Lixuefeng 李雪丰				
Approval 批准	Youchuang 游川				
Versions 版本	A/0	Examples 比例	1:1	Unit 单位	MM
Date 日期	2024/08/26		Third-angle projection 第三角度投影	Figure 图幅	A4